

ANGLE	± 5°	REV	LOCAS	DESCRIPTION	DESIGN	DATE	卫国峰
X.XXX	± 0.05	01			DRAWN	DATE	尚伟
X.XX	± 0.15	02			CHECKED	DATE	吴汉学
X.X	± 0.25	03			AUDITED	DATE	龚劲松
X	± 0.50	04			APPROVED	DATE	eric

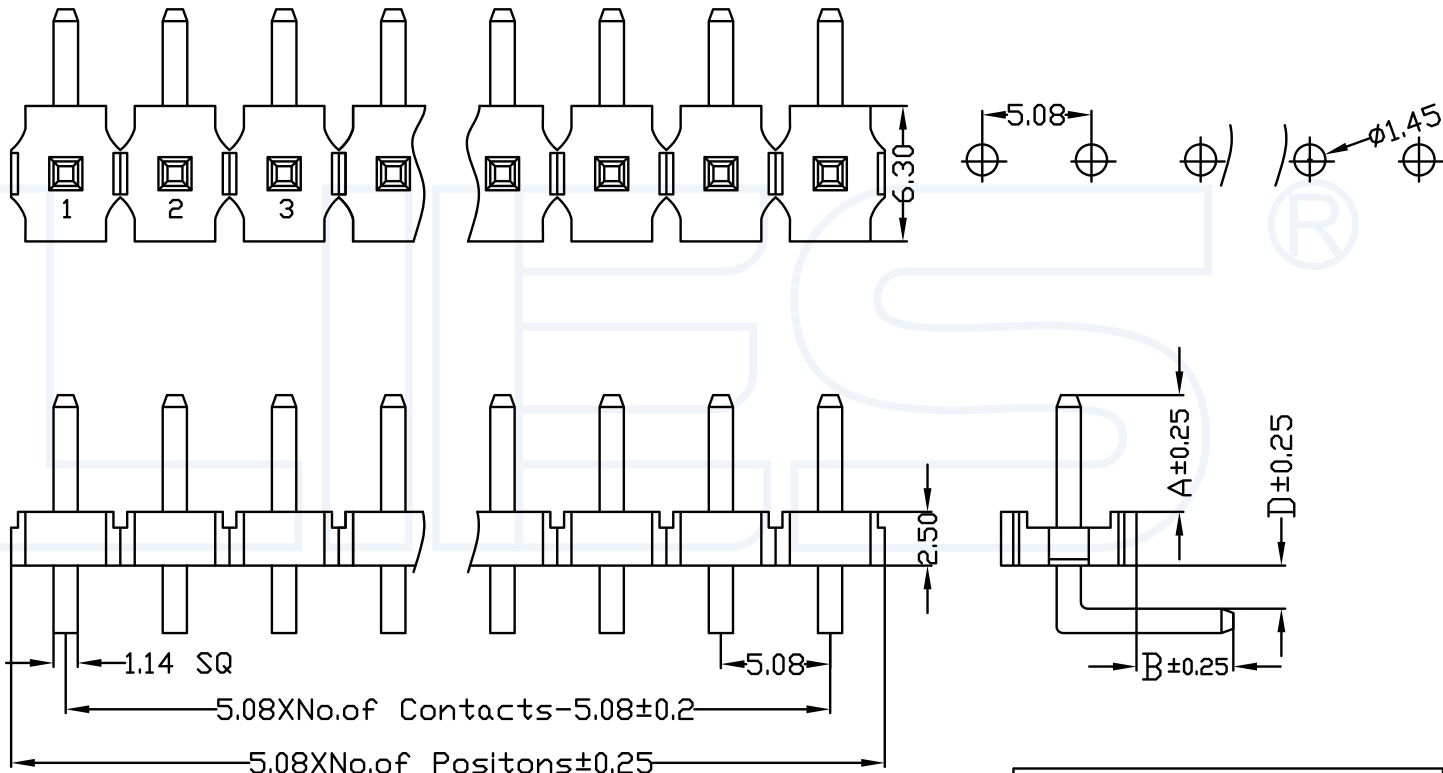
Specifications/备注 (Remark)

1-材料 (MATERIAL)

胶芯: LCP+30%G.F UL94V-0, 颜色: 黑色
Housing:LCP+30%G.F UL94V-0,Color:Black
四方针: 黄铜/镍底30u"MIN/表面镀金0.8u"MIN
Contact: Brass/0.8u"MIN GOLD PLATING
OVER ALL 30u"MIN NICKEL UNDERPLATING
OVER ALL

2-特性 (characteristics):

额定电流: 7 AMP
Raring Current:7 AMP .
接触阻抗: 20mΩ MAX.
Contact Resistance:20mΩ MAX .
绝缘阻抗: 1000MΩMIN.
Insulating Resistance:1000MΩMIN.
耐电压: AC 500V.
Withstanding Voltage:AC 500V.
温度范围: -40度至+105度
Temperture Range: -40°Cto +105°C



ITEM	A	B	D
Standard	2.54	4.5	15
Alternate			

ORDERING INFORMATION
1825-11 XX XX D R XXX X 1

NO.OF PINS PER ROW 02-20P	INSULATOR MATERIAL C:PA9T D:LCP	PACKING A:PE Bag B:TOPE&REED C:TUBE D:TUBE+CAP E:TRAY
HEIGHT OF HOUSING 25:2.54mm	CONTACT PLATING FULL OF GOLD SEMI-GOLD A0=0.8u" B0=0.8U" A9=30u" B9=30U" S1=ORDINARY TIN PLATED S2=MATTE TIN PLATED S3=TIN-PLATED HIGH-TEMPERATURE	LENGTH OF TERMINAL

东莞市瑞翔精密连接器有限公司 DONG GUAN YLIES PRECISE CONNECTOR CO.,LTD Tel:0769-85381995 / Fax:0769-85493987 / Email: ylies@ylies.cn / Web:www.ylies.cn	TITLE	86-5.08mm 单排排针 单塑90度		DATE	2018-02-18
	PROJECTON	REV	UNIT	SCALE	PAGE
	A	mm	1:1	1/1	
PART NO:	1825-11XXXXDRXXXX1	DRAWING NO:			