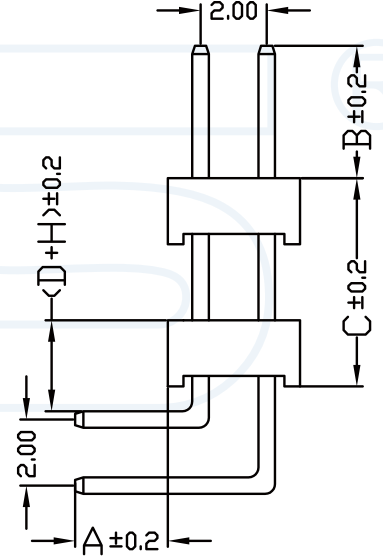
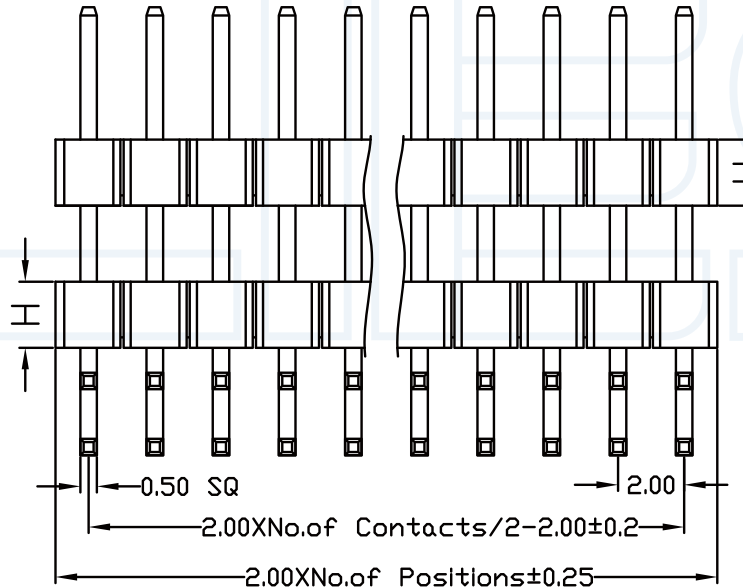
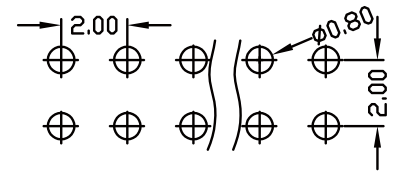
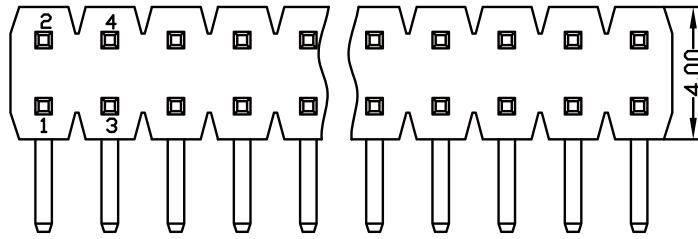


ANGLE	± 5°	REV	LOCAS	DESCRIPTION	DESIGN	DATE	卫国防
X.XXX	± 0.05	01			DRAWN	DATE	尚伟
X.XX	± 0.15	02			CHECKED	DATE	吴汉学
X.X	± 0.25	03			AUDITED	DATE	龚劲松
X	± 0.50	04			APPROVED	DATE	eric

**Specifications/备注 (Remark)**

1-材料 (MATERIAL)  
 胶芯: PA6T+30%G.F UL94V-0, 颜色: 黑色  
 Housing: PA6T+30%G.F UL94V-0, Color: Black  
 四方针: 黄铜/镍底30u"MIN/表面镀金0.8u"MIN  
 Contact: Brass/0.8u"MIN GOLD PLATING  
 OVER ALL 30u"MIN NICKEL UNDERPLATING  
 OVER ALL

2-特性 (characteristics):  
 额定电流: 2AMP  
 Raring Current: 2 AMP .  
 接触阻抗: 20mΩ MAX.  
 Contact Resistance: 20mΩ MAX .  
 绝缘阻抗: 1000MΩMIN.  
 Insulating Resistance: 1000MΩMIN.  
 耐电压: AC 500V.  
 Withstanding Voltage: AC 500V.  
 温度范围: -40度至+105度  
 Temperature Range: -40°Cto +105°C



**ORDERING INFORMATION**  
**15XX-22 XX XX X R XXX X 1**

NO. OF PINS PER ROW 02-40P	INSULATOR MATERIAL A: PBT B: PA6T C: PA9T D: LCP	PACKING A: PE Bag B: TOPE&REED C: TUBE D: TUBE+CAP E: TRAY
HEIGHT OF HOUSING 10: 1.0mm 15: 1.5mm 20: 2.0mm	CONTACT PLATING FULL OF GOLD SEMI-GOLD A0=0.8u" B0=0.8U"	LENGTH OF TERMINAL
.....	.....	
A9=30u" S1=ORDINARY TIN PLATED	B9=30U" S2=MATTE TIN PLATED	
S3=TIN-PLATED HIGH-TEMPERATURE		

Dimension antitheses list						
ITEM	A	B	H	D	C	
Standard	2.8	2.8	4.0	1.0	1.5	2.0 0 0.75
Alternate						

**YLIES** 东莞市瑞翔精密连接器有限公司  
 DONG GUAN YLIES PRECISE CONNECTOR CO.,LTD

TITLE: 48-2.0mm 双排排针 双塑90度 DATE: 2018-02-18

Tel: 0769-85381995 / Fax: 0769-85493987 / Email: ylies@ylies.cn / Web: www.ylies.cn

PROJECTON REV A UNIT mm SCALE 1:1 PAGE 1/1

PART NO: 15XX-22XXXXXRXXX1 DRAWING NO: