

ANGLE	± 5°	REV	LOCAS	DESCRIPTION	DESIGN	DATE	卫国峰
X.XXX	± 0.05	01			DRAWN	DATE	尚伟
X.XX	± 0.15	02			CHECKED	DATE	吴汉学
X.X	± 0.25	03			AUDITED	DATE	龚劲松
X	± 0.50	04			APPROVED	DATE	eric

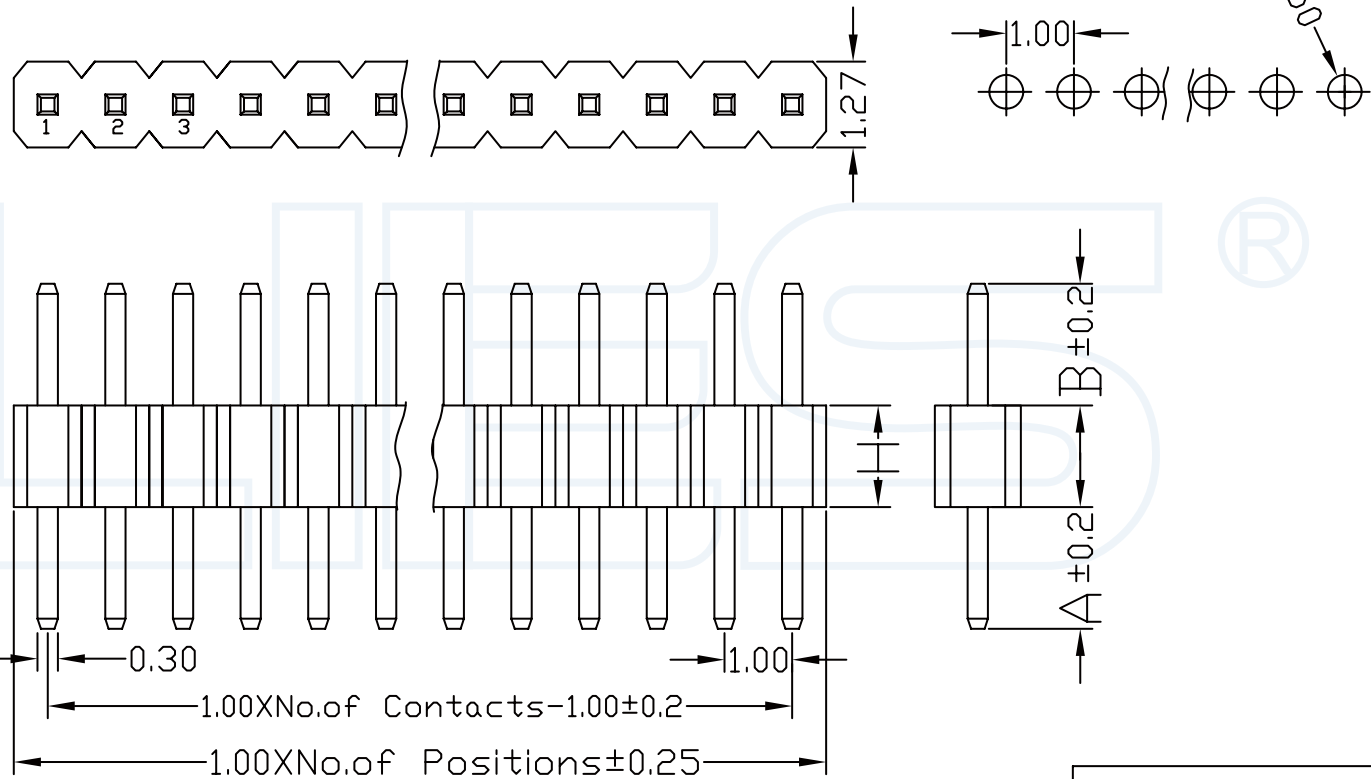
Specifications/备注 (Remark)

1-材料 (MATERIAL)

胶芯: PA9T+30%G.F UL94V-0, 颜色: 黑色
Housing: PA9T+30%G.F UL94V-0, Color: Black
四方针: 黄铜/镍底30u"MIN/表面镀金0.8u"MIN
Contact: Brass/0.8u"MIN GOLD PLATING
OVER ALL 30u"MIN NICKEL UNDERPLATING
OVER ALL

2-特性 (characteristics):

额定电流: 0.75 AMP
Raring Current: 0.75 AMP .
接触阻抗: 20mΩ MAX.
Contact Resistance: 20mΩ MAX .
绝缘阻抗: 1000MΩMIN.
Insulating Resistance: 1000MΩMIN.
耐电压: AC 500V.
Withstanding Voltage: AC 500V.
温度范围: -40度至+105度
Temperature Range: -40°Cto +105°C



ORDERING INFORMATION

12XX-22 XX XX X S XXX X 1

NO.OF PINS PER ROW 02-50P	INSULATOR MATERIAL C:PA9T D:LCP	PACKING A:PE Bag B:TOPE&REED C:TUBE D:TUBE+CAP E:TRAY
HEIGHT OF HOUSING 14:1.4mm	CONTACT PLATING FULL OF GOLD SEMI-GOLD A0=0.8u" B0=0.8U" A9=30u" B9=30U" S1=ORDINARY TIN PLATED S2=MATTE TIN PLATED S3=TIN-PLATED HIGH-TEMPERATURE	LENGTH OF TERMINAL

ITEM	A	B	H
Standard	1.8	1.8	1.0 1.5
Alternate			

东莞市瑞翔精密连接器有限公司 DONG GUAN YLIES PRECISE CONNECTOR CO.,LTD Tel:0769-85381995 / Fax:0769-85493987 / Email: ylies@ylies.cn / Web:www.ylies.cn	TITLE	03-1.00mm 单排排针 单塑180度			DATE	2018-02-18		
	PROJECTON	REV	UNIT	SCALE	PAGE	PART NO:	12XX-11XXXXXSXXXX1	DRAWING NO:
	A	mm	1:1	1/1				